

1. EXTERNAL VIEW

1.1 FIGURE OF TRAVELLING POSTURE

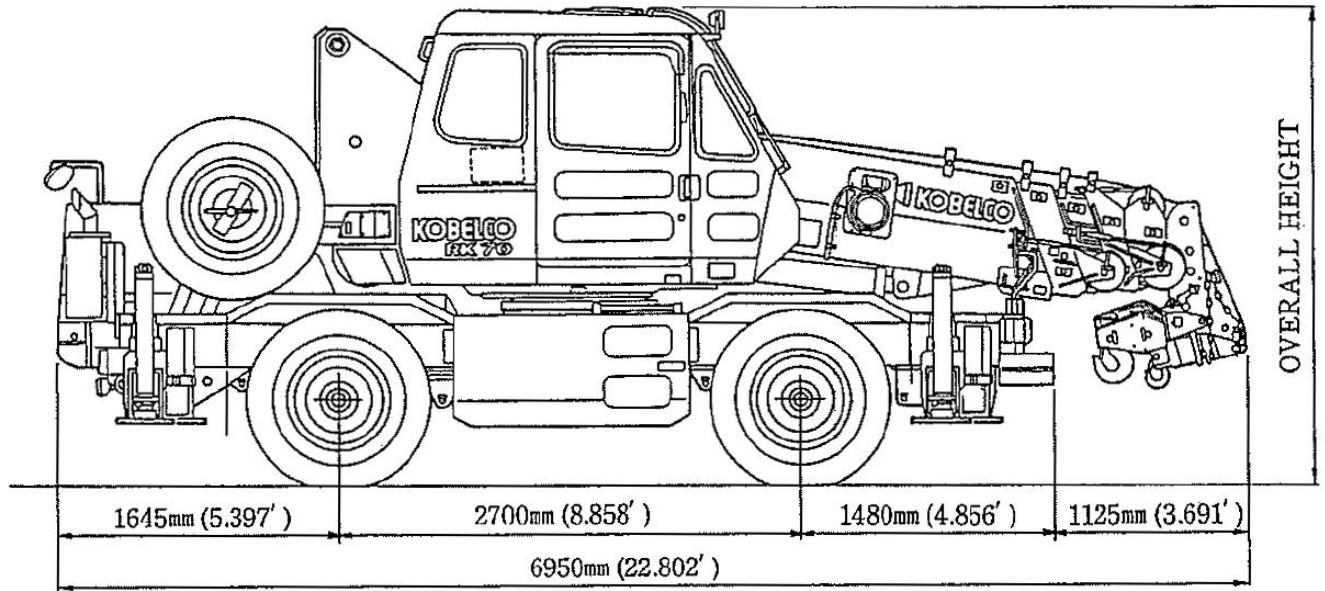


Fig. 1-1

Tire	10.00-20-14PR	275/80R22.5	13/80R20
	10.00R20-14PR		
Overall Height	2760mm (9.055ft)	2730mm (8.957ft)	2745mm (9.006ft)
Tread	1680mm (5.512ft)	1700mm (5.577ft)	1730mm (5.679ft)
Overall width	1995mm (6.545ft)	1995mm (6.545ft)	2080mm (6.824ft)

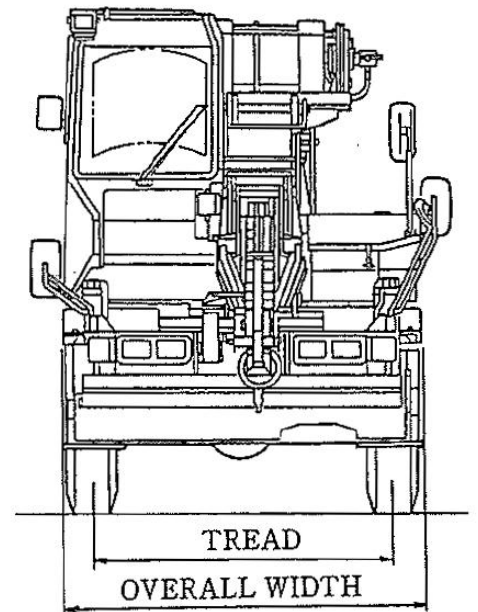


Fig. 1-2

1.2 FIGURE OF WORKING POSTURE

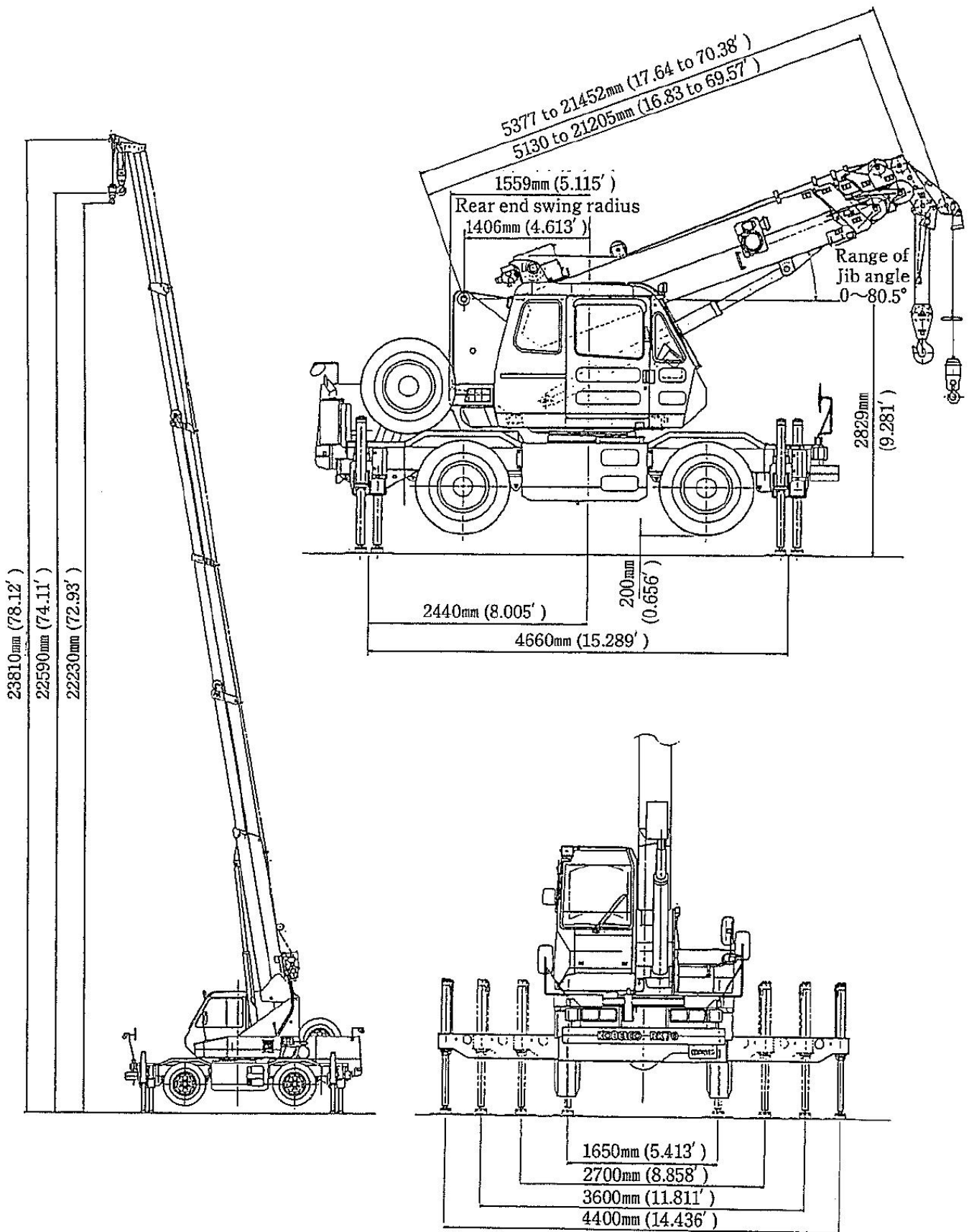
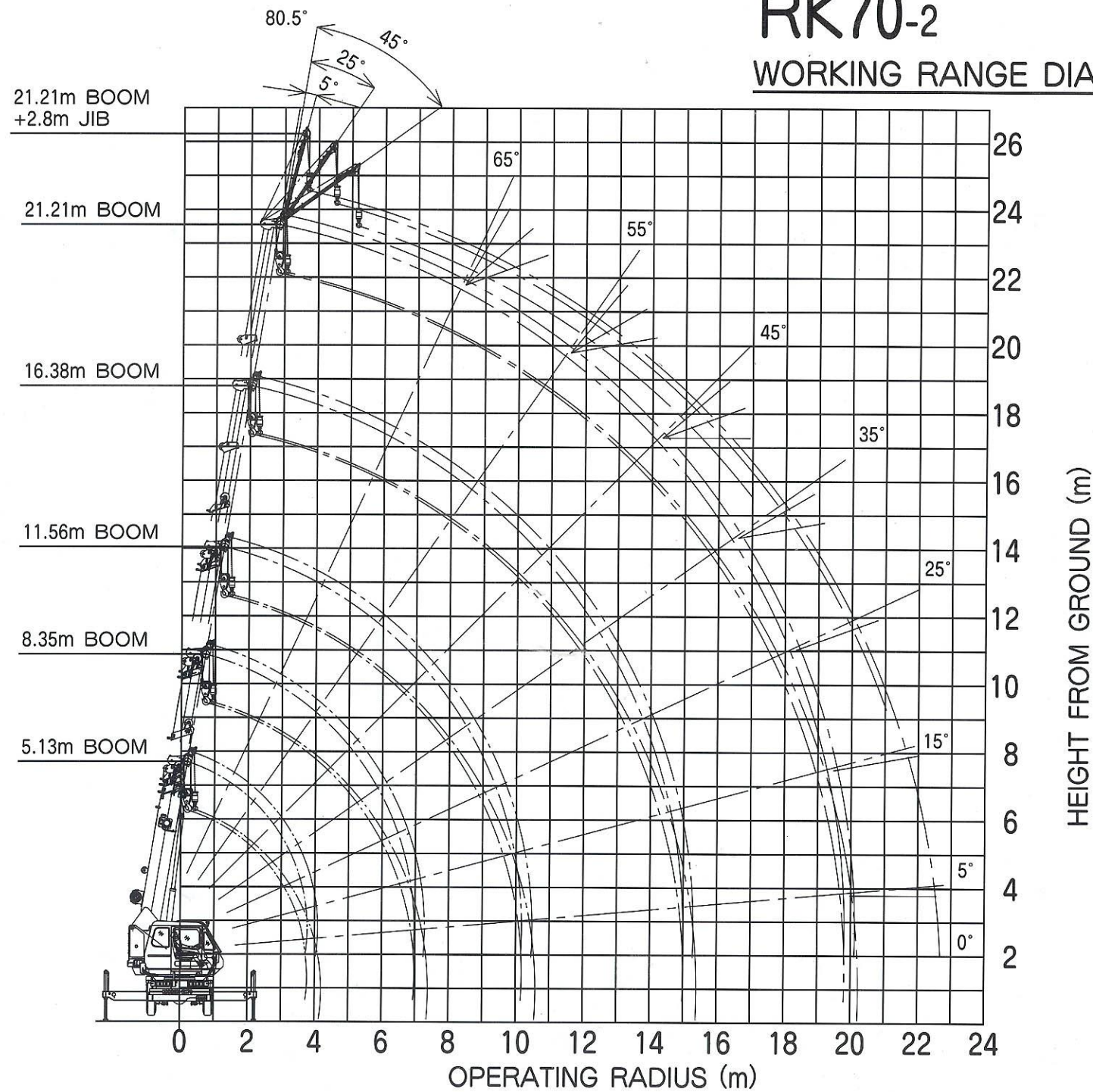


Fig. 1-3

RK70-2

WORKING RANGE DIAGRAM



KOBELCO CONSTRUCTION MACHINERY CO. LTD.

RK70-2

RATED CRANE LOAD (1) TABLE WITH USE OF OUTRIGGER

unit(ton)

Operating Radius(m)	Outriggers Max. (4.4m) Extended (360°) or(360° working area)					Outriggers Mid. (4.13m) Extended (Over side)					Outriggers Mid. (3.87m) Extended (Over side)					Outriggers Mid. (3.60m) Extended (Over side)					Outriggers Mid. (3.30m) Extended (360°) or(360° working area)					Operating Radius(m)						
	5.13m Boom	8.35m Boom	11.56m Boom	16.38m Boom	21.21m Boom	5.13m Boom	8.35m Boom	11.56m Boom	16.38m Boom	21.21m Boom	5.13m Boom	8.35m Boom	11.56m Boom	16.38m Boom	21.21m Boom	5.13m Boom	8.35m Boom	11.56m Boom	16.38m Boom	21.21m Boom	5.13m Boom	8.35m Boom	11.56m Boom	16.38m Boom	21.21m Boom		5.13m Boom	8.35m Boom	11.56m Boom	16.38m Boom	21.21m Boom	
1.0	7.00	4.90				7.00	4.90				7.00	4.90				7.00	4.90				7.00	4.90									1.0	
1.5	7.00	4.90	4.90			7.00	4.90	4.90			7.00	4.90	4.90			7.00	4.90	4.90			7.00	4.90	4.90								1.5	
2.0	7.00	4.90	4.90			7.00	4.90	4.90			7.00	4.90	4.90			7.00	4.90	4.90			7.00	4.90	4.90								2.0	
2.5	7.00	4.90	4.90	3.90		7.00	4.90	4.90	3.90		7.00	4.90	4.90	3.90		7.00	4.90	4.90	3.90		7.00	4.90	4.90	3.90							2.5	
3.0	6.10	4.90	4.90	3.90	2.00	6.10	4.90	4.90	3.90	2.00	6.10	4.90	4.90	3.90	2.00	6.10	4.90	4.90	3.90	2.00	6.10	4.90	4.90	3.90	2.00						3.0	
3.5	5.30	4.90	4.90	3.90	2.00	5.30	4.90	4.90	3.90	2.00	5.30	4.90	4.90	3.90	2.00	5.30	4.90	4.90	3.90	2.00	5.00	4.90	4.90	3.90	2.00						3.5	
4.0	4.90 (3.7m)	4.50	4.50	3.60	2.00	4.90 (3.7m)	4.50	4.50	3.60	2.00	4.90 (3.7m)	4.50	4.50	3.60	2.00	4.90 (3.7m)	4.50	4.50	3.60	2.00	4.67 (3.7m)	4.50	4.50	3.60	2.00						4.0	
4.5		3.85	3.87	3.30	2.00		3.85	3.87	3.30	2.00		3.85	3.87	3.30	2.00		3.85	3.87	3.30	2.00		3.44	3.87	3.30	2.00						4.5	
5.0		3.33	3.37	3.05	2.00		3.33	3.37	3.05	2.00		3.33	3.37	3.05	2.00		3.33	3.37	3.05	2.00		2.92	3.37	3.05	2.00						5.0	
5.5		2.95	2.97	2.82	2.00		2.92	2.97	2.82	2.00		2.88	2.97	2.82	2.00		2.85	2.97	2.82	2.00		2.47	2.53	2.56	2.00						5.5	
6.0		2.62	2.65	2.56	2.00		2.57	2.65	2.56	2.00		2.51	2.56	2.56	2.00		2.46	2.52	2.56	2.00		2.11	2.13	2.29	2.00						6.0	
7.0		2.15 (6.9m)	2.14	2.15	1.80		2.06 (6.9m)	2.05	2.11	1.80		1.98 (6.9m)	1.96	2.07	1.80		1.89 (6.9m)	1.87	2.03	1.80		1.62 (6.9m)	1.58	1.79	1.80						7.0	
8.0			1.70	1.84	1.60			1.60	1.75	1.60			1.50	1.65	1.60			1.40	1.57	1.60			1.15	1.37	1.60						8.0	
9.0			1.40	1.60	1.40			1.27	1.47	1.38			1.15	1.35	1.37			1.02	1.22	1.35			0.82	1.05	1.15						9.0	
10.0			1.20	1.40	1.23			1.06	1.25	1.20			0.92	1.11	1.18			0.78	0.96	1.15			0.60	0.81	0.95						10.0	
11.0			1.16 (10.2m)	1.20	1.10			1.03 (10.2m)	1.05	1.05			0.89 (10.2m)	0.90	1.00			0.76 (10.2m)	0.75	0.95			0.58 (10.2m)	0.61	0.79						11.0	
12.0				1.02	1.00				0.87	0.93				0.72	0.85				0.57	0.78				0.45	0.64						12.0	
13.0				0.85	0.90				0.71	0.82				0.58	0.73				0.44	0.65				0.32	0.52						13.0	
14.0				0.69	0.80				0.57	0.71				0.46	0.62				0.34	0.53				0.23	0.41						14.0	
15.0				0.55	0.70				0.46	0.61				0.36	0.51				0.27	0.42					0.30						15.0	
16.0					0.59					0.50					0.42					0.33					0.22							16.0
17.0					0.51					0.43					0.34					0.26					0.14							17.0
18.0					0.43					0.35					0.27					0.19												18.0
19.0					0.36					0.28					0.21					0.13												19.0
20.0					0.35 (19.8m)					0.23 (19.8m)																						20.0
21.0																																21.0
Min.Boom angle	0°	0°	0°	0°	0°	0°	0°	0°	0°	0°	0°	0°	0°	0°	18°	0°	0°	0°	0°	18°	0°	0°	0°	23°	32°	Min.Boom angle						

**RATED CRANE LOAD (3)
ON OUTRIGGER JIB
ERECTED (JIB)**

RK70-2

unit(ton)

Operating Radius(m)	Outriggers Max. (4.40m) Extended (360°) or (360° working area) 21.21m Boom+2.8m Jib			Outriggers Mid. (4.13m) Extended (Over side) 21.21m Boom+2.8m Jib			Outriggers Mid. (3.87m) Extended (Over side) 21.21m Boom+2.8m Jib			Outriggers Mid. (3.60m) Extended (Over side) 21.21m Boom+2.8m Jib			Outriggers Mid. (3.30m) Extended (Over side) 21.21m Boom+2.8m Jib			Outriggers Mid. (3.00m) Extended (Over side) 21.21m Boom+2.8m Jib			Outriggers Mid. (2.70m) Extended (Over side) 21.21m Boom+2.8m Jib			Operating Radius(m)
	5°	25°	45°	5°	25°	45°	5°	25°	45°	5°	25°	45°	5°	25°	45°	5°	25°	45°	5°	25°	45°	
80.5	1.00	0.86	0.48	1.00	0.86	0.48	1.00	0.86	0.48	1.00	0.86	0.48	1.00	0.86	0.48	1.00	0.86	0.48	0.85	0.73	0.48	80.5
70.0	1.00	0.86	0.48	1.00	0.86	0.48	1.00	0.86	0.48	1.00	0.86	0.48	1.00	0.86	0.48	1.00	0.86	0.48	0.85	0.73	0.48	70.0
65.0	1.00	0.81	0.47	1.00	0.81	0.47	1.00	0.81	0.47	0.90	0.81	0.47	0.86	0.73	0.47	0.68	0.62	0.47	0.55	0.55	0.40	65.0
60.0	0.87	0.74	0.46	0.87	0.74	0.46	0.81	0.67	0.46	0.70	0.67	0.46	0.60	0.57	0.46	0.48	0.44	0.39	0.37	0.36	0.31	60.0
55.0	0.73	0.68	0.45	0.73	0.68	0.45	0.61	0.59	0.45	0.53	0.50	0.41	0.44	0.41	0.41	0.33	0.31	0.30				55.0
50.0	0.62	0.62	0.45	0.60	0.57	0.45	0.47	0.46	0.41	0.41	0.40	0.35	0.32	0.31	0.31							50.0
45.0	0.53	0.52	0.45	0.49	0.46	0.45	0.38	0.37	0.33	0.32	0.31	0.30	0.24	0.23	0.22							45.0
40.0	0.46	0.43		0.40	0.38		0.30	0.28		0.23	0.23											40.0
35.0	0.38	0.37		0.33	0.32		0.23	0.23														35.0
30.0	0.33	0.32		0.27	0.27																	30.0
25.0	0.29	0.29		0.23	0.24																	25.0
20.0	0.27			0.21																		20.0
15.0	0.26			0.20																		15.0
10.0	0.26																					10.0
5.0	0.26																					5.0
Min.Boom angle	5.0°	25.0°	45.0°	15.0°	25.0°	45.0°	35.0°	35.0°	45.0°	40.0°	40.0°	45.0°	45.0°	45.0°	45.0°	55.0°	55.0°	55.0°	60.0°	60.0°	60.0°	Min.Boom angle