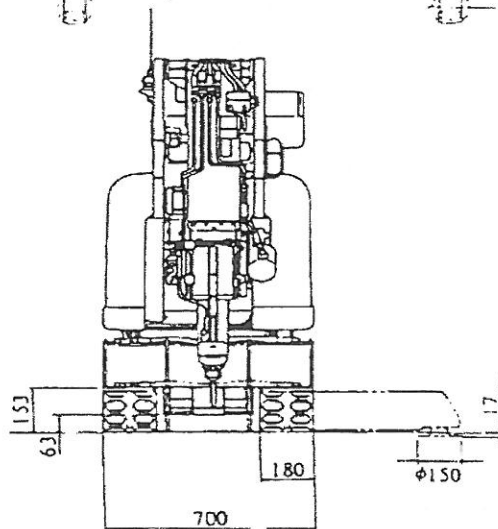
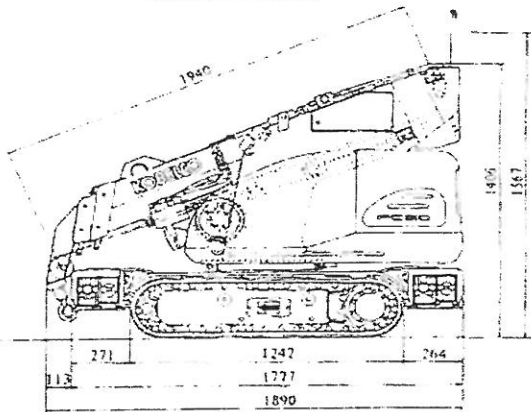
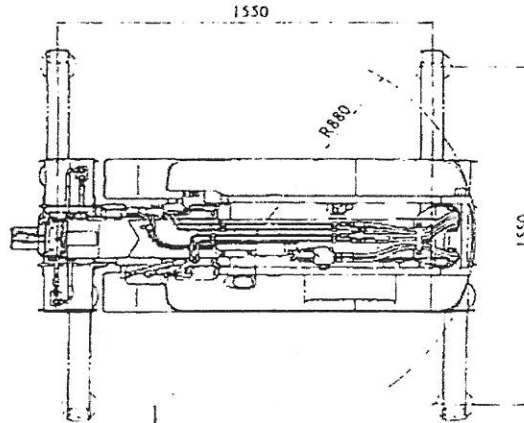
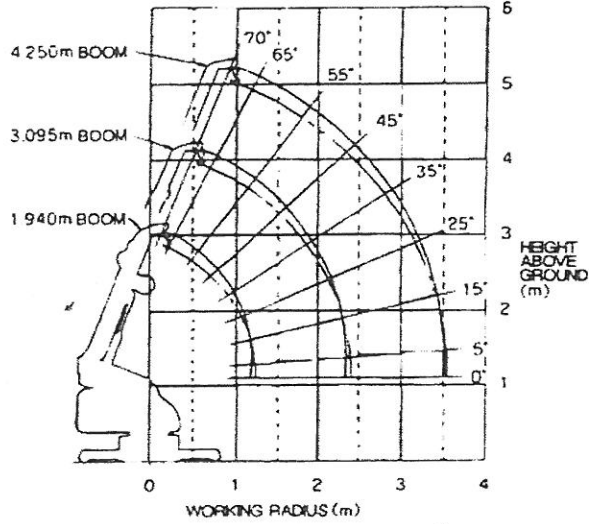




Working Radius (m)	Load (kg)	
	With Outriggers	Without Outriggers
1.0	450	250
1.5	450	155
2.0	400	100
2.5	300	50
3.0	240	-
3.5	185	-



Kobelco FC50 Outrigger pad/ground pressure

Rated Capacity with outriggers fully extended

Radius (m)	1	1.5	2	2.5	3	3.5
Rated Load (kg)	450	450	400	300	240	185

Resultant Outrigger pad/ground pressure (Tonne/m²)

1. For 450 kg @ 1.0m Radius

Slew Direction (Angle - Degree)	Right Front	Right Rear	Left Rear	Left Front
0 (Over Front)	26.6	15.8	15.8	26.6
45	28.9	22.1	14.1	20.4
90 (Right side)	26.0	27.7	16.4	14.7
135	20.4	30.0	22.1	12.5
180 (Over rear)	15.3	27.2	27.2	15.3
225	13.0	21.5	29.4	20.9
270 (Left side)	15.3	15.8	27.2	26.6
315	20.9	13.6	21.5	28.9
360 (Over front)	26.6	15.8	15.8	26.6

Resultant Outrigger pad/ground pressure (Tonne/m²)

3. For 400 kg @ 2.0m Radius

Slew Direction (Angle - Degree)	Right Front	Right Rear	Left Rear	Left Front
0 (Over Front)	33.4	7.4	7.4	33.4
45	38.5	21.5	2.8	19.8
90 (Right side)	32.8	35.1	8.5	5.7
135	19.2	40.7	21.5	0.6
180 (Over rear)	6.8	34.5	34.5	6.8
225	1.7	20.4	39.6	20.9
270 (Left side)	7.4	6.8	33.4	34.5
315	20.9	1.1	20.4	39.6
360 (Over front)	33.4	7.4	7.4	33.4

Resultant Outrigger pad/ground pressure (Tonne/m²)

5. For 240 kg @ 3.0m Radius

Slew Direction (Angle - Degree)	Right Front	Right Rear	Left Rear	Left Front
0 (Over Front)	31.1	5.1	5.1	31.1
45	36.2	19.2	0.6	17.5
90 (Right side)	30.6	32.8	6.2	3.4
135	15.3	39.0	17.0	1.7
180 (Over rear)	4.5	32.3	32.3	4.5
225	3.4	16.4	36.2	17.0
270 (Left side)	5.1	4.5	31.1	32.3
315	17.0	1.7	16.4	36.8
360 (Over front)	31.1	5.1	5.1	31.1

Maximum Outrigger pad/ground pressure Table

Radius (m)	1.0	1.5	2.0	2.5	3.0	3.5
Lifting Load (kg)	450	450	400	300	240	185
Max. Press(t/m ²)	30.0	36.8	40.7	38.5	39.0	37.4

Note above float pressures are based on standard crane float of 150mm Diameter

Resultant Outrigger pad/ground pressure (Tonne/m²)

2. For 450 kg @ 1.5m Radius

Slew Direction (Angle - Degree)	Right Front	Right Rear	Left Rear	Left Front
0 (Over Front)	31.1	11.3	11.3	31.1
45	35.1	22.1	7.4	20.4
90 (Right side)	30.6	32.8	11.9	9.6
135	20.4	36.8	22.1	5.7
180 (Over rear)	10.2	32.3	32.3	10.2
225	6.2	21.5	36.2	21.5
270 (Left side)	10.8	10.8	31.7	31.7
315	21.5	6.2	21.5	36.2
360 (Over front)	31.1	11.3	11.3	31.1

Resultant Outrigger pad/ground pressure (Tonne/m²)

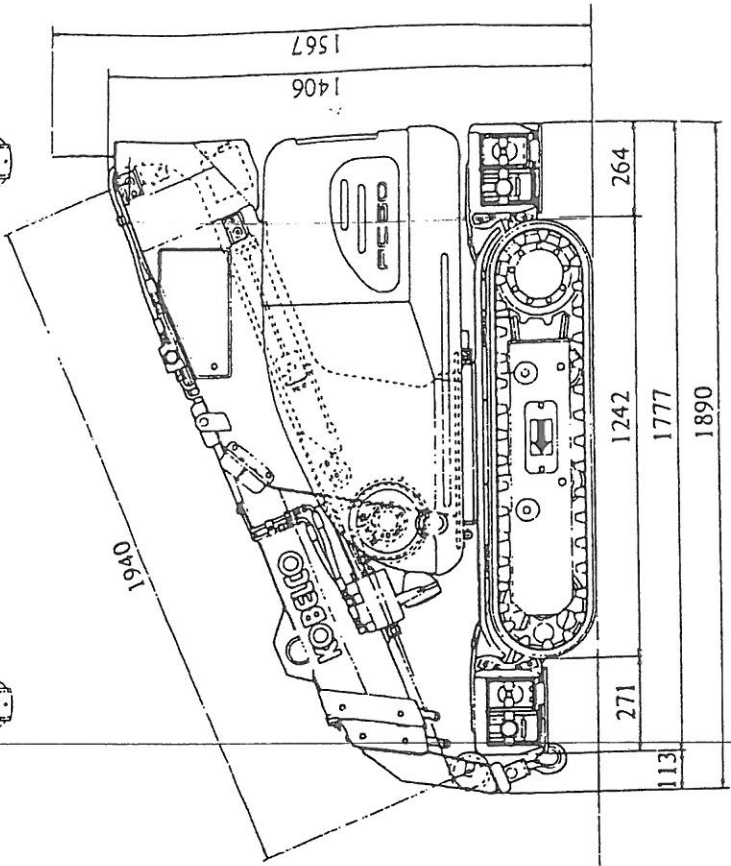
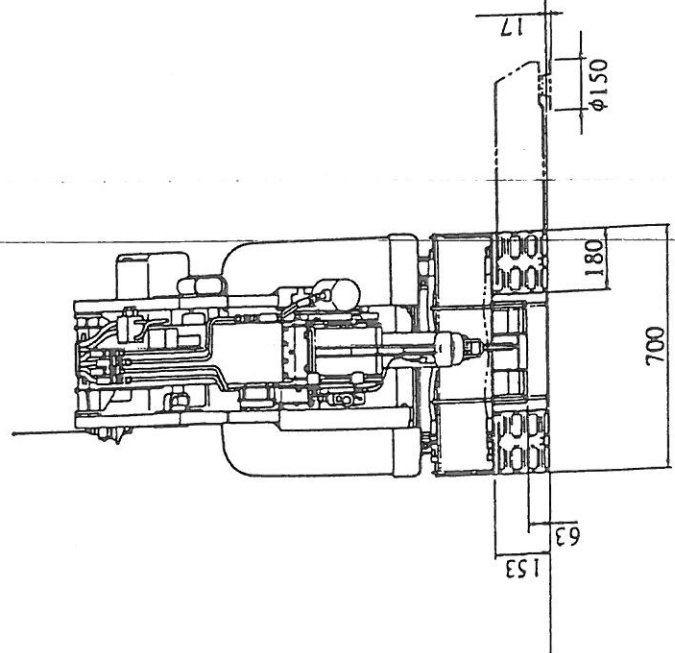
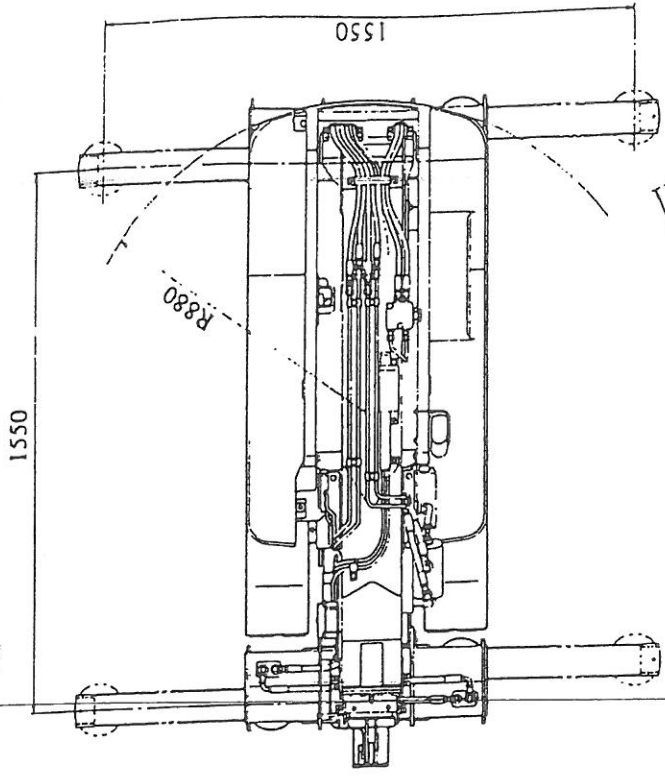
4. For 300 kg @ 2.5m Radius

Slew Direction (Angle - Degree)	Right Front	Right Rear	Left Rear	Left Front
0 (Over Front)	31.7	6.2	6.2	31.7
45	36.8	20.4	1.7	18.1
90 (Right side)	31.1	33.4	7.4	4.5
135	16.4	38.5	18.7	3.4
180 (Over rear)	5.7	32.8	32.8	5.7
225	0.6	19.2	37.9	19.2
270 (Left side)	6.2	5.7	31.7	32.8
315	18.1	3.4	17.5	36.8
360 (Over front)	31.7	6.2	6.2	31.7

Resultant Outrigger pad/ground pressure (Tonne/m²)

6. For 180 kg @ 3.5m Radius

Slew Direction (Angle - Degree)	Right Front	Right Rear	Left Rear	Left Front
0 (Over Front)	30.0	5.1	5.1	30.0
45	34.5	18.7	0.6	16.4
90 (Right side)	28.9	31.7	6.2	3.4
135	15.3	37.4	16.4	1.7
180 (Over rear)	4.5	30.6	30.6	4.5
225	3.4	15.8	34.5	16.4
270 (Left side)	5.1	4.5	30.0	30.6
315	15.8	3.4	15.3	35.1
360 (Over front)	30.0	5.1	5.1	30.0



113	271	1242	264
		1777	
		1890	

■ Measurement